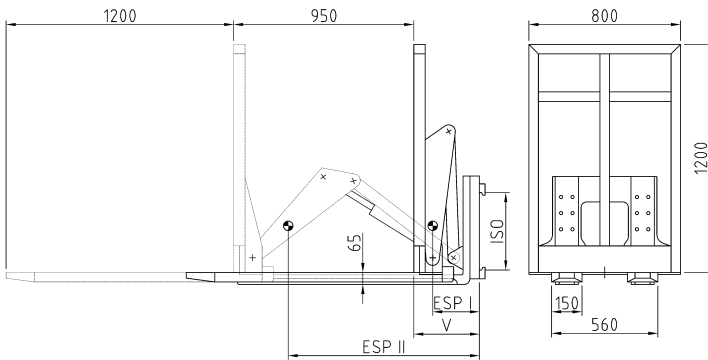


Pusher fork

SGS

The **pusher fork SGS** facilitates high pallet turnover with its single side loading capability and it is robustly built for reliability throughout heavy duty use. The powerful two cylinder movement operates reliably even in dirty environment. A robust bolt on backrest and bolt on forks are standard.

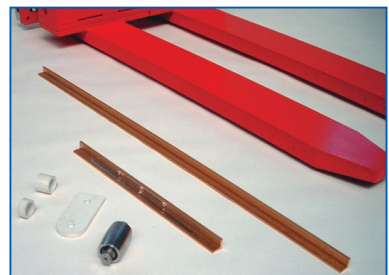
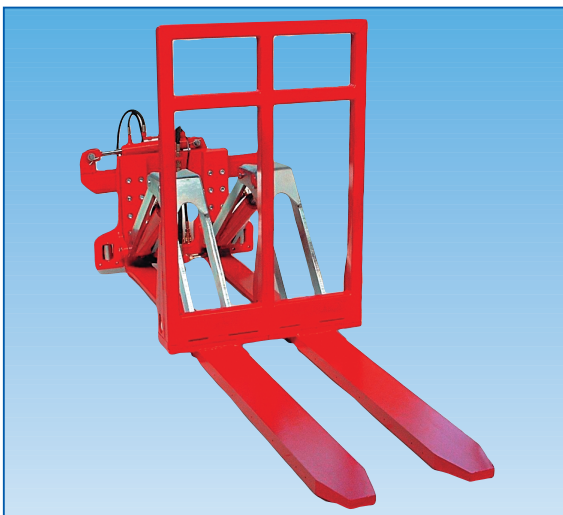


type	capacity kg/mm LC	lift truck capacity tons	ISO	stroke mm	b mm	ESP I COG I mm	ESP II COG II mm	V LLC mm	weight kg	sideshift mm
SGS 15 Z2	2000/600	1,5-2,5	II	950	150	310	750	335	460	+/- 100
SGS 25 Z2	2500/600	3,0-3,5	III	950	150	310	750	335	470	+/- 100
SG 15 Z2 no sideshift	2000/600	1,5-2,5	II	950	150	300	700	320	435	-
SG 25 Z2 no sideshift	2500/600	3,0-3,5	III	950	150	300	700	320	445	-

- type SGS – 2 hydraulic functions required
- type SG – 1 hydraulic function required

- includes hoses and couplings
- bolt-on forks as standard

- Type SGS features sideshift rollers



All key components are easily exchangeable due to the use of bolted connections.

DURWEN 
Forklift Attachments

More than 60 years experience