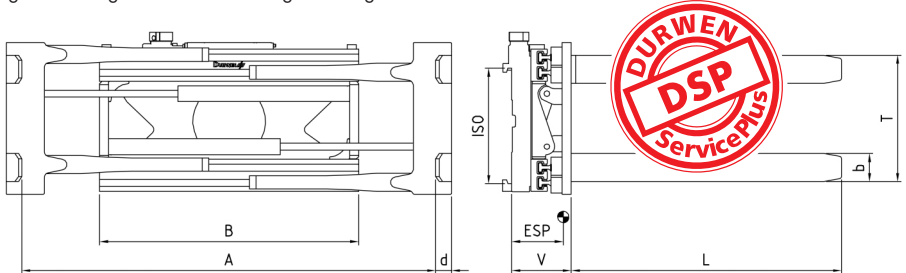


# Pallet exchanger

360° total rotation

**PWK**

The **pallet exchanger PWK** is used for clamping loads and rotating them through 180°, allowing the load to be placed on an alternative pallet. Total rotation is 360°. The rotator uses a worm wheel system protected against the ingress of dirt and will give a long service life.

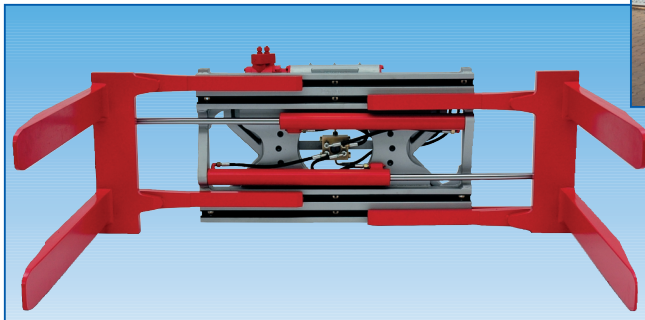


type	lift truck capacity tons	ISO	capacity kg/mm LC	opening range A III mm	width B mm	L mm	d mm	b mm	T mm	V LLC mm	ESP COG mm	weight kg
PWK 25	2,0-2,5	II	2000/500	540-1650	980	1200	50	125	560	262	273	755
				560-1900	1150	1200	50	125	560	262	268	780
PWK 30	3,0	III	2500/500	560-1900	1150	1200	50	125	560	262	265	790
				560-2100	1350	1200	50	125	560	262	255	820
PWK 35	3,5	III	3000/500	560-2100	1350	1200	50	150	560	282	255	930
				560-2200	1450	1200	50	150	560	282	247	945
PWK 45	4,0-5,0	III	3500/500	560-2100	1350	1200	60	150	560	294	273	1070
				560-2300	1550	1200	60	150	560	294	263	1110

- 2 hydraulic functions required
- direct drive rotation, safety break as standard
- includes hoses and couplings
- cylinder protection upon request
- side arm upon request

options	extra weight	extra thickness	remarks
pressure gauge + pressure manually adjustable	–	–	up to 160 bar
constant sideshift ISO II	35 kg	45 mm	+/- 100 mm
constant sideshift ISO III	50 kg	45 mm	+/- 100 mm

- Solenoid valve upon request



Option: side arm

**DURWEN**   
Forklift Attachments

More than 60 years experience