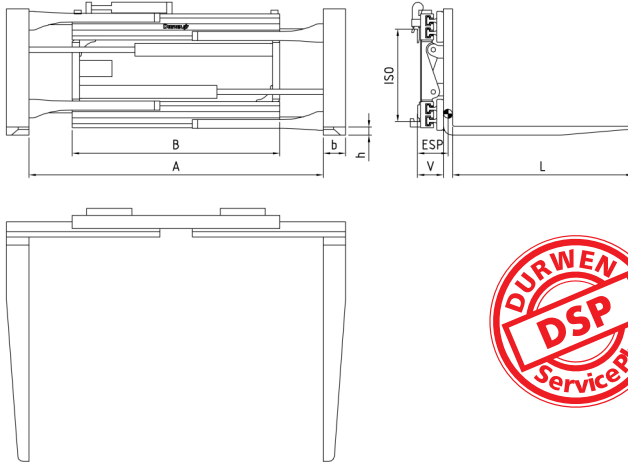


# Harbour clamp

**PHK**

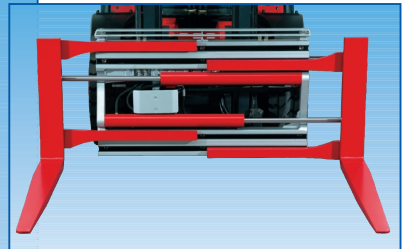
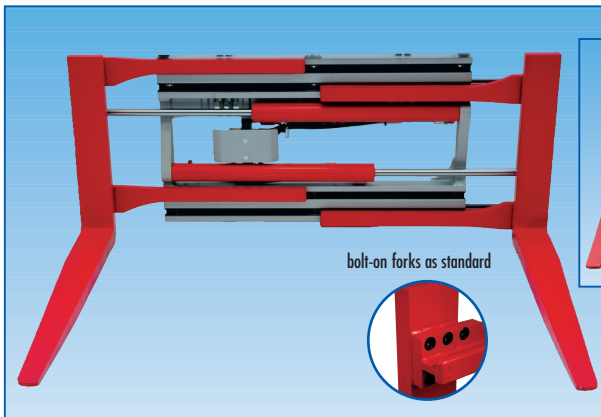
with constant sideshift type PHK-S or with integral sideshift type PHK-V

**The harbour clamp PHK** is used for clamping bales and boxes as well as transporting pallets. Special shaped forks are ideal for picking of densely stacked goods. The clamp valve is built into the frame for protection and all key parts are bolted for rapid replacement. The clamp features excellent visibility.



type	lift truck capacity tons	ISO	capacity on forks kg/mm LC	capacity as clamp kg/mm LC	A opening range III mm	B mm	forks mm	sideshift	V LLC mm	ESP COG mm	weight kg
PHK 25 S	2,5	II	2500/500	1600/500	310-1630	1150	125x45x1200	+/- 100	143	210	445
PHK 25 V	2,5	II	2500/500	1600/500	310-1630	1150	125x45x1200	integral	126	220	425
PHK 30 S	3,0	III	3000/500	1600/500	310-1630	1150	125x45x1200	+/- 100	143	208	450
PHK 30 V	3,0	III	3000/500	1600/500	310-1630	1150	125x45x1200	integral	126	218	430
PHK 35 V	3,5	III	3500/500	2200/500	280-1580	1150	150x50x1200	integral	136	240	510

- includes bolt-on forks
- integral sideshift means: fully open or closed no sideshift
- 2 hydraulic functions required
- includes hoses and couplings
- toe-in on forks as standard



**DURWEN**   
Forklift Attachments

More than 60 years experience