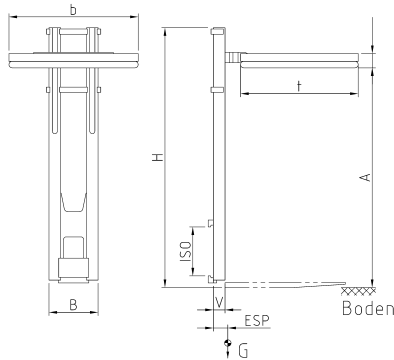


High visibility load stabiliser

LH-B

The **load stabiliser LH-B** allows the lift truck driver a high level of visibility through the integrated cylinders which are protected inside the framework. The load stabiliser is fitted with a pressure relief valve and pressure gauge as standard.



type	ISO	lift truck capacity tons	max. force 120 bar	opening range A mm	H mm	width B mm	contact plate b x t mm	V LLC mm	ESP COG mm	weight kg
LH 14-B	II/III	1,0-3,0	400 kg	890-1580	1390	300	600x1000	90	195	169
LH 15-B	II/III	1,0-3,0	400 kg	1000-1800	1500	300	600x1000	90	194	175
LH 16-B	II/III	1,0-3,0	400 kg	1100-2000	1600	300	600x1000	90	193	180
LH 17-B	II/III	1,0-3,0	400 kg	1200-2200	1700	300	600x1000	90	191	185
LH 18-B	II/III	1,0-3,0	400 kg	1300-2400	1800	300	600x1000	90	190	190
LH 19-B	II/III	1,0-3,0	400 kg	1400-2600	2100	300	600x1000	90	188	195
other sizes upon request										
LH 18-TB*	II/III	1,0-3,0	400 kg	1100-2600	1800	680	600x1000	171	200	480

* version TB: telescopic version for a large opening combined with small closed height, reduced visibility through the range of mast profiles and fork carriage plates.

- 1 hydraulic function
- includes pressure relief valve and pressure gauge
- other sizes upon request



DURWEN 
 Forklift Attachments

More than 60 years experience