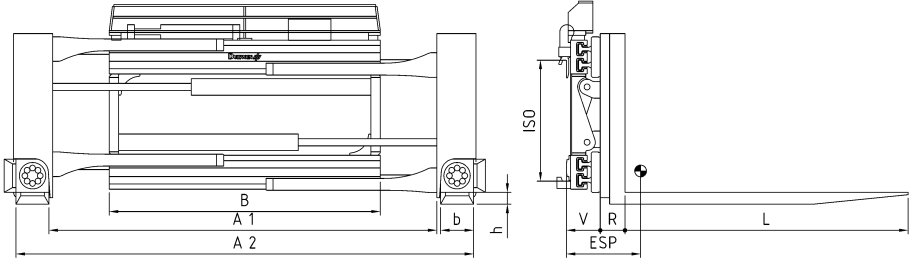


Clamp with turnable forks

constant sideshift +/- 100 mm, bolt-on forks

DGK

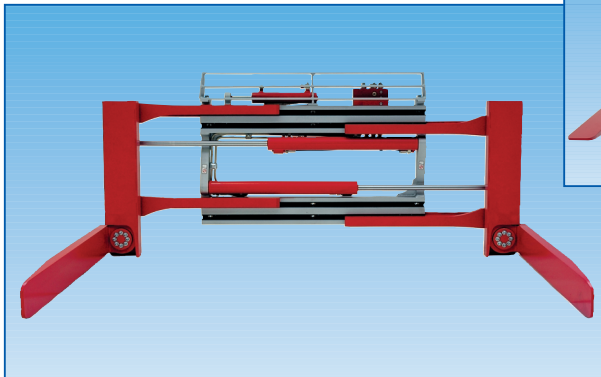
The clamp with turnable forks DGK allows for flexible use of forklift trucks. The fork on this attachment can be converted manually from pallet to clamp position. Loads standing close together can be clamped without problems. Pallets can also be handled simply with forks in the normal position. The attachment is not recommended for heavy duty clamp jobs and clamping with forks in the pallet position is not allowed.



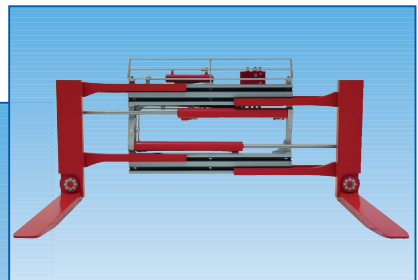
type	lift truck capacity tons	ISO	capacity on forks kg/mm LC	capacity as clamp kg/mm LC	A1 mm	A2 mm	B mm	forks b x h x l mm	sideshift mm	V LLC mm	R mm	ESP COG mm	weight kg
DGK 20	1,5-2,0	II	2000/500	1200/500	130-1210 315-1675	405-1485 590-1950	1050 1150	125x45x1200	+/- 100	153	105	250 248	510 525
DGK 25	2,5	II	2500/500	1750/500	115-1195 300-1660	395-1475 580-1940	1050 1150	140x50x1200	+/- 100	153	105	253 250	525 540
DGK 30	3,0	III	3000/500	2000/500	115-1195 300-1660 300-1860	395-1475 580-1940 580-2140	1050 1150 1350	140x50x1200	+/- 100	153	105	248 245 240	545 560 575

- bolt-on forks as standard
- 2 hydraulic functions required
- includes hoses and couplings
- pressure gauge and manually adjustable pressure see accessories

- forks can be set to 0°/45°/90°
- pressure gauge + 3 position relief valve see options
- features rollers for sideshift
- protection strip as standard



forks vertical for clamping



forks horizontal for pallets

DURWEN
Forklift Attachments

More than 60 years experience