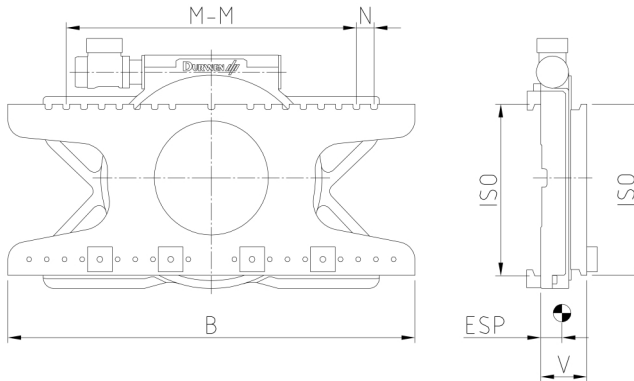


360° rotator

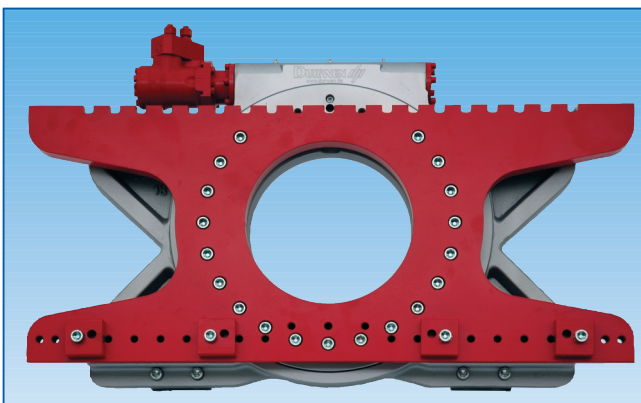
DG

The rotator type DG has a cast steel frame enabling compact design. The worm gear has several teeth meshing at one time thus helping to increase the service life of the attachment. A seal fitted as standard protects the rotator against the ingress of dirt and dust.



type	capacity kg/mm LC	lift truck capacity tons	ISO	width B mm	max. torque ΔP 100 bar Nm	centre distance M - M mm	N mm	V LLC mm	ESP COG mm	weight kg
DG 16	1600/500	1,5-1,8	II	880	5200	260-660	50	117	58	217
DG 20	2000/500	2,0	II	980	5200	260-760	50	117	60	223
DG 25	2500/500	2,5	II	1100	9400	260-860	50	120	58	290
DG 30	3000/500	3,0	III	1150	9400	320-920	50	130	63	335
DG 35	3500/500	3,5	III	1150	11700	320-920	50	135	65	350
DG 45	5000/500	4,0-5,0-500	III	1350	14000	320-1120	50	148	72	470
DG 50	5000/600	5,0-600	IV	1350	14000	310-1010	50	153	82	535
DG 60	6000/600	6,0	IV	1500	22000	310-1210	50	170	108	684
DG 80	8000/600	7,0-8,0	IV	1750	22000	310-1510	50	170	110	722
DG 100	8000/900	8,0/900	IV	1750	26000	310-1510	50	195	120	870

- foundry/fishing version see rotator options
- 1 hydraulic function required
- quick release hooks: class 2, class 3, class 4 upon request
- includes hoses and couplings
- hook-on forks reinforced for rotator use must be used.



DURWEN 
Forklift Attachments

More than 60 years experience